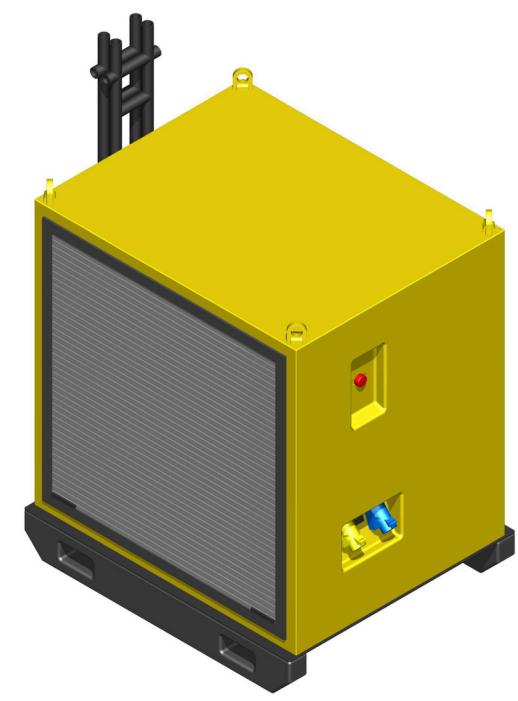
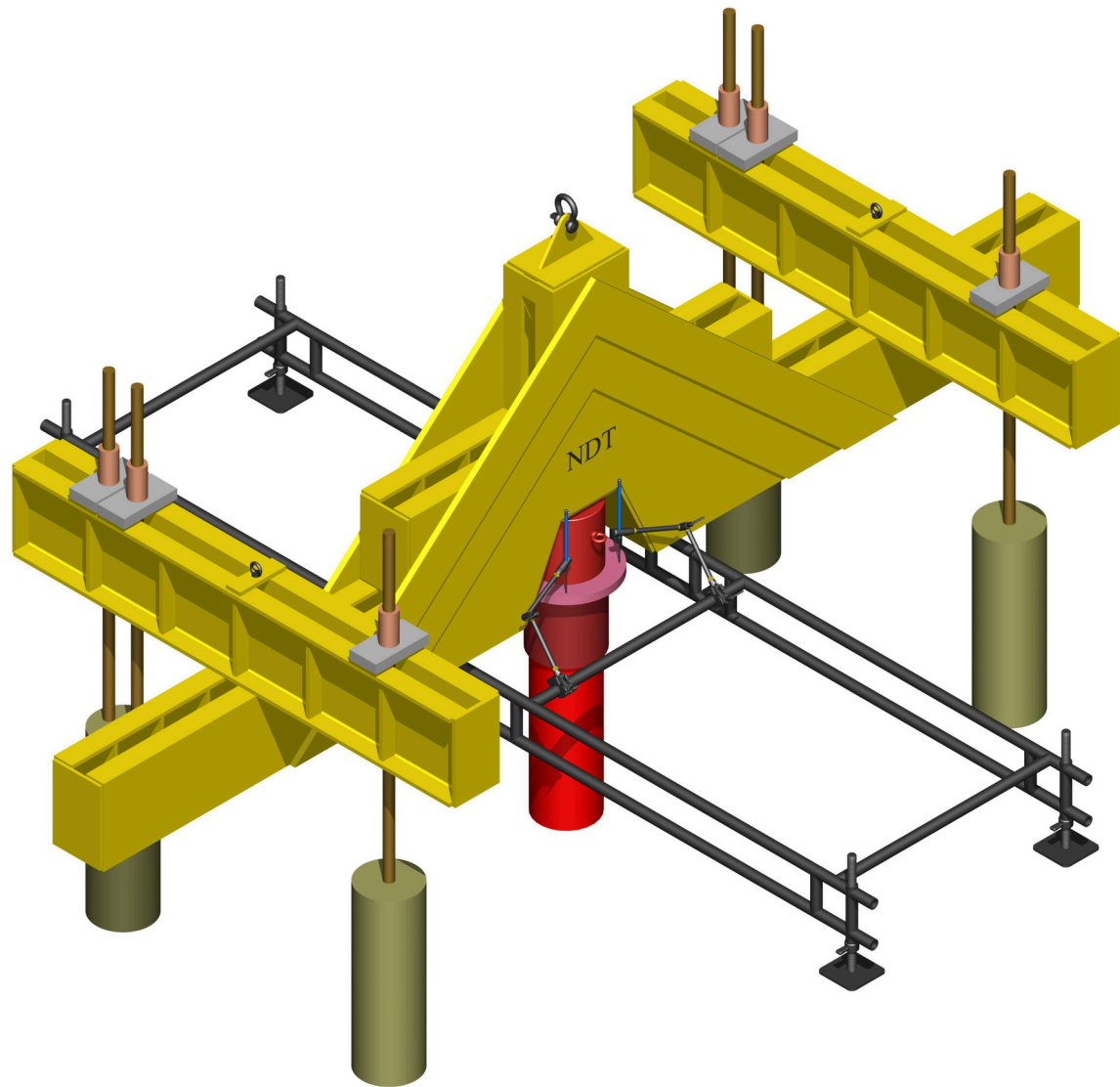


NON DESTRUCTIVE TESTING SERVICES LTD. OWN THE COPYRIGHT OF THIS DRAWING WHICH IS NOT TO BE COPIED, REPRODUCED OR DISCLOSED TO A THIRD PARTY WITHOUT WRITTEN PERMISSION.



F	20/12/23	DP	DB	RP
E	26/03/19	DP	AM	JP
D	19/01/18	DP	AM	JP
A	11/07/13	DP	AM	JP
REV	DATE	DRN	CHK	APP

Woodland Lodge, Longhedge Lane,  
Orston, Nottingham NG13 9PL  
Tel: 01949 851820  
  
E-mail: [info@ndt-piletesting.com](mailto:info@ndt-piletesting.com)

Non Destructive Testing Services Ltd

an RSK company

Title: LOAD TEST SCHEMATIC	
Client: GENERIC	
Drg No. NDT00100	
Sheet 1 of 1	Revision <b>F</b>